



PIERCING ADAPTERS

For compressed gas cartridges

PIERCING ADAPTERS

PREMIER INDUSTRIES

1590 99th Ln NE,
Minneapolis, MN 55449
763-786-4020



MADE IN THE USA

Minneapolis, MN

DESCRIPTION

Premier Piercing Adapters are designed for use with a wide range of Premier Industries regulators; these adaptures thread into a 1/4" or 1/8" FNPT port to enable use with threaded and unthreaded disposable gas cartridges. The threaded adapter is available in 4 standard sizes for compatibility with a variety of threaded disposable gas cartridges. The unthreaded cartridge adapter features a black anodized cartridge cup to house the unthreaded cartridge. Each adapter features a stainless steel piercing tip, and standard 1/4" or 1/8" MPNT outlet connection.

FEATURES

- Stainless steel piercing tip
- 1/4" or 1/8" MNPT outlet connection
- 4 standard threaded cartridge adapter sizes
- Stainless steel body
- Polyurethane cartridge seal
- Optional cartridge cup

PIERCING ADAPTERS

PIERCING ADAPTERS For compressed gas cartridges

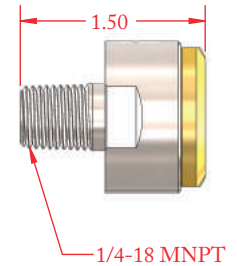
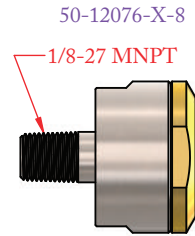


MATERIALS OF CONSTRUCTION

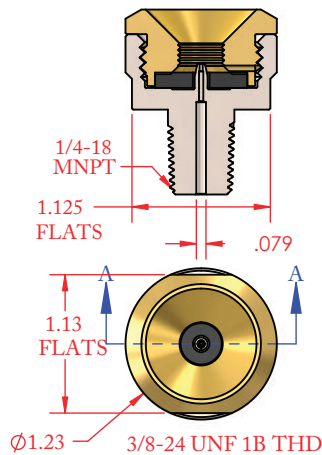
- **BODY:**
 - 303 Stainless Steel
- **CARTRIDGE ADAPTER (optional):**
 - SAE 360 Brass
- **CARTRIDGE SEAL:**
 - Polyurethane
- **PIERCING TIP:**
 - 303 Stainless Steel
- **CARTRIDGE CUP (optional):**
 - 6061-T6 Aluminum, Black Anodized

PORTING/ACCESSORIES

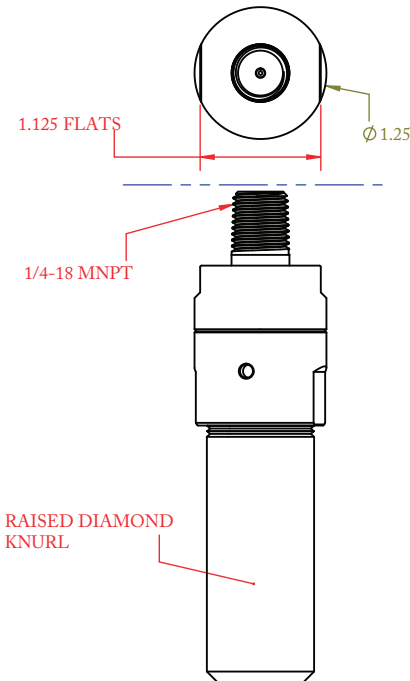
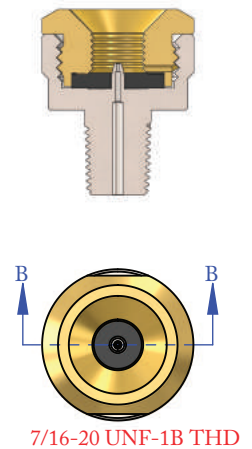
- **CARTRIDGE CONNECTION (optional):**
 - 3/8-24 UNF-1B
 - 7/16-20 UNF-1B
 - 1/2-20 UNF-1B
 - 5/8-18 UNF-1B
- **CARTRIDGE CUP ADAPTER (optional):**
 - 16g CO₂ Cartridges
- **OUTLET:**
 - 1/4" MNPT
 - 1/8" MNPT



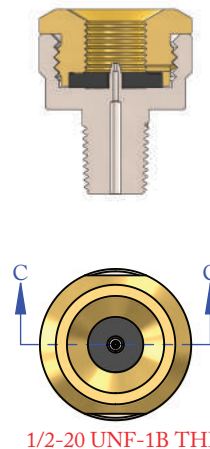
50-12076-1
SECTION A-A



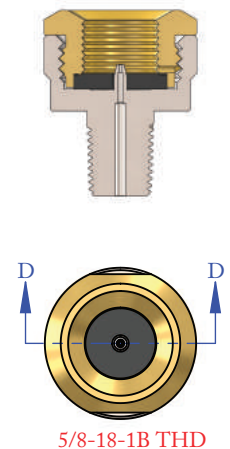
50-12076-2
SECTION B-B



50-12076-3
SECTION C-C



50-12076-4
SECTION D-D



(Part Number: 50-12080 shown above for the cartridge cup adapter)



PIERCING ADAPTERS
For compressed gas cartridges



THREADED PIERCING ADAPTERS

PART #	-	1	-	2
50-12076	-		-	

1	CARTRIDGE CONNECTION
1	3/8-24 UNF-1B
2	7/16-20 UNF-1B
3	1/2-20 UNF-1B
4	5/8-18 UNF-1B
2	BODY PORTING
Blank	1/4" MNPT
8	1/8" MNPT



PIERCING ADAPTERS
For compressed gas cartridges



UNTHREADED PIERCING ADAPTERS

PART #	-	1	2
50-12080	-		

1	CUP ADAPTER
1	16g CO ₂ Cartridges
2	OUTLET PORTING
1	1/4" MNPT
8	1/8" MNPT