



MINIATURE, HYDRAULIC HIGH PRESSURE, 10K *Pressure Reducing Regulators*

6560 SERIES

PREMIER INDUSTRIES

1590 99th Ln NE,
Minneapolis, MN 55449
763-786-4020



MADE IN THE USA

Minneapolis, MN

DESCRIPTION

Premier 6560 Series pressure reducing regulators are your affordable and compact solution for high pressure hydraulic applications. These rugged, piston sensed regulators are designed for inlet pressures up to 10000 PSIG (689.48 bar). They feature a wide range of delivery pressure ranges up to 10000 PSIG (689.48 bar), and include a tamper resistant captured vent.

FEATURES

- 10000 psig (689.48 bar) max
- Captured-venting
- Cv 0.06, or 0.20
- Machined bar stock body and piston eliminates porosity found in castings
- Rear mounting holes standard with optional panel mounting nuts
- Compact and economically priced

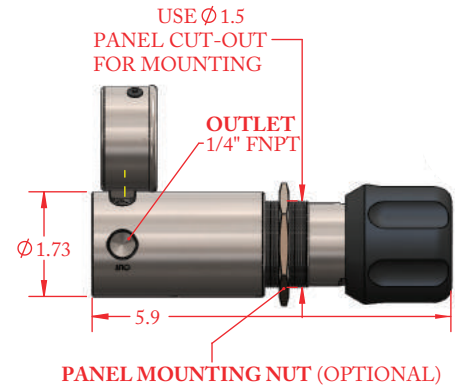
6560 SERIES

MINIATURE, HYDRAULIC HIGH PRESSURE, 10K *Pressure Reducing Regulators*



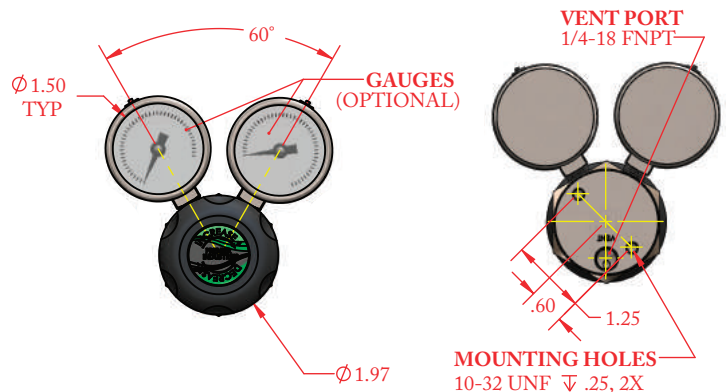
SPECIFICATIONS

- **MAXIMUM INLET PRESSURE:**
 - 10000 PSIG (689.48 bar)
- **CONTROL PRESSURE RANGES:**
 - 0-250 PSIG (0-17.24 bar)
 - 5-500 PSIG (0.34-34.47 bar)
 - 5-800 PSIG (0.34-55.16 bar)
 - 10-1500 PSIG (0.69-103.42 bar)
 - 15-2500 PSIG (1.03-172.37 bar)
 - 25-4000 PSIG (1.72-275.79 bar)
 - 50-6000 PSIG (3.45-413.69 bar)
 - 100-10000 PSIG (6.89-689.48 bar)
- **Cv:** 0.06, 0.20



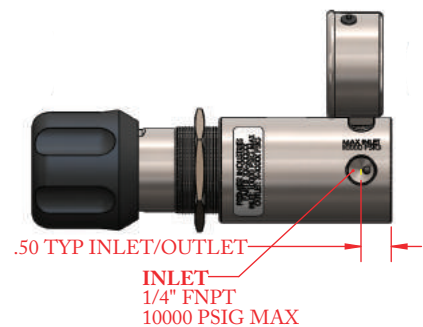
MATERIALS OF CONSTRUCTION

- **BODY:**
 - 303 Stainless Steel
 - 316 Stainless Steel
- **BONNET:**
 - 303 Stainless Steel (Non-wetted)
- **VALVE STEM:**
 - 17-4 Stainless Steel
- **OTHER WETTED PARTS:**
 - 316 Stainless Steel (with 316 stainless steel body option)
 - 300 Series Stainless Steel (with all other body options)
- **SENSOR PISTON & HOUSING:** 17-4 Stainless Steel
- **SEALS:**
 - Buna-N
 - Viton®
 - EPDM
 - Low-temperature nitrile
- **MAIN VALVE & VENT VALVE SEAT OPTIONS:**
 - Vespel®
 - PEEK®
 - 17-4 Stainless Steel & 440C Stainless Steel



PORTING

- **STANDARD INLET:** 1/4" FNPT
- **STANDARD OUTLET:** 1/4" FNPT
- **GAUGE PORTS:** 1/8" FNPT
- **VENT PORT:** 1/4" FNPT



(P/N: 30-10340 shown above)

OPTIONAL ITEMS

- Gauges (316 stainless steel wetted components, 304 stainless steel case, glycerine filled)
- Panel mounting configuration
- Private label



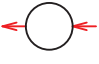


MINIATURE, HYDRAULIC HIGH PRESSURE, 10K *Pressure Reducing Regulators*



SERIES	1	-	2	3	4	-	5	6	7
30-10340		-				-			

1	VENT/MAIN VALVE SEAT MATERIAL
V	VespeI®
P	PEEK®
S	17-4 Stainless Steel & 440C Stainless Steel
2	OUTLET PRESSURE
1	0-250 psig (0-17.24 bar)
2	5-500 psig (0.34-34.47 bar)
3	5-800 psig (0.34-55.16 bar)
4	10-1500 psig (0.69-103.42 bar)
5	15-2500 psig (1.03-172.37 bar)
6	25-4000 psig (1.72-275.79)
7	50-6000 psig (3.45-413.69 bar)
8	100-10000 psig (6.89-689.48 bar)

3	BODY MATERIAL & FINISH
1	303 Stainless Steel
2	316 Stainless Steel
4	O-RING MATERIAL
1	BUNA-N
2	VITON®
3	EPDM
4	NITRILE, LO-TEMP
5	FLOW (Cv)
1	0.06
2	0.20

6	GAUGES/ PORTING
1	No gauges, 'S' porting 
2	No gauges, 'C' porting 
3	Include gauges, 'C' porting 
7	MOUNTING
1	Bottom mount only
2	Panel mounting & bottom mount

10000 PSIG MAX INLET

The end user is responsible to ensure adequate fittings are used to connect regulator to plumbing.

VespeI® & Viton® are registered trademarks of E.I.duPont de Nemours and Company. PEEK® is a registered trademark of Victrex PLC

Contact factory for material certifications. Fees may apply.